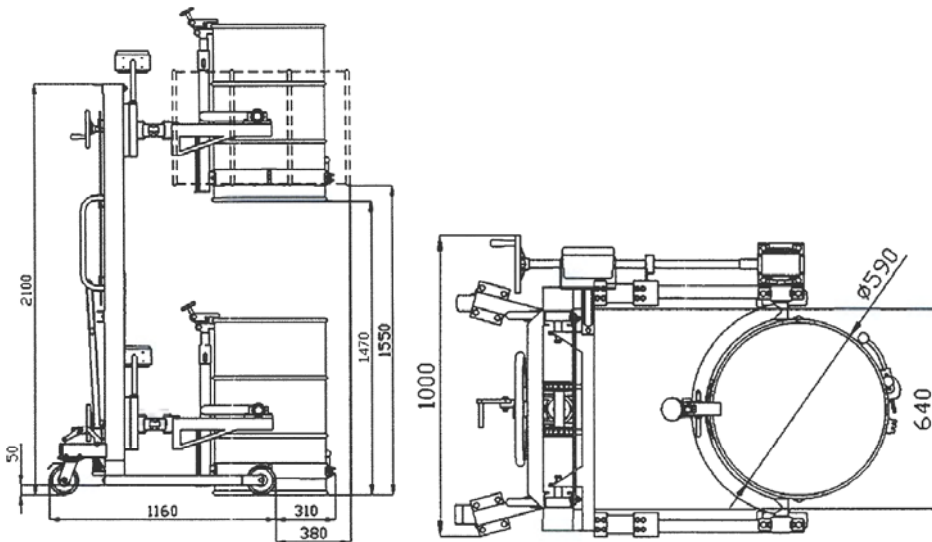


Full Drum Handling Equipment : DA 450 Series

- Combined Eagle-grip structure and Anchorear structure together.
- Suitable for 55 gallon steel drums & 210L rimmed plastic drums.
- Rotate drums 180 degree by motor, and can keep drums at any angle.



Technical Data		Model
		DA 450
Type (ประเภท)		Manual System (ระบบแมนนวล)
Model		DA450
Rated Capacity	KG	450
Max. Lifting Height	mm	1500
Pouring height	mm	1580
Acceptable Drum Type		plastic, fiber, steel
Drum Tilting (electric/manual)		manual
With Weighing Scale	yes/no	no
Load Rollers Size	mm	Ø80x60
Steering Wheel Size	mm	Ø150x50
Size Between Legs (Inner/Out)	mm	650/810
Overall Size (LxWxH)	mm	1400x1000x2100
Net Weight	KG	176
Warranty Pump Unit 1 Year (Normal Use)		
Note: Specification and materials are subject to change without notice.		

รายละเอียดผลิตภัณฑ์อาจมีการเปลี่ยนแปลงโดยมิได้แจ้งให้ทราบล่วงหน้า