

## Hand Pallet Truck Scale

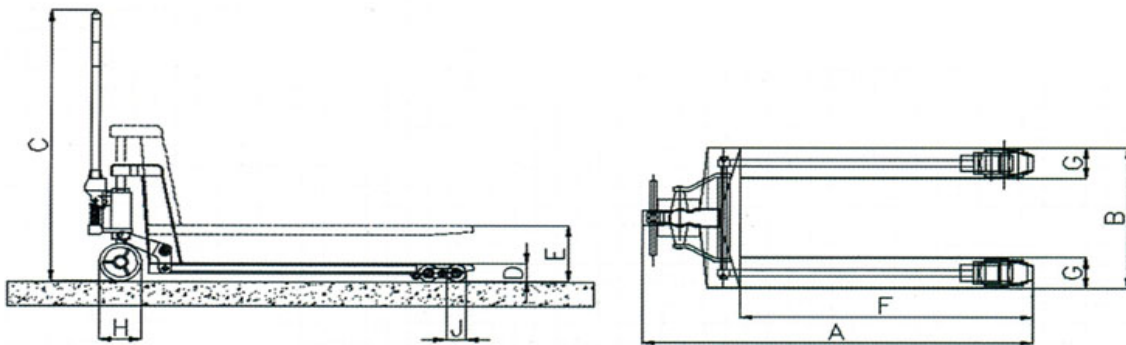
- ▲ Type A Equipped with a top quality sensor and scale meter.  
Features weighing accuracy  $\pm 1\text{kg}$  in 2000kg. , 2500kg.
- ▲ Type B Equipped with a high quality Japanese sensor.  
Features weighing accuracy  $\pm 2\text{kg}$  in 2000kg. , 2500kg.
- ▲ Rollers/Wheels: Nylon, Polyurethane, Rubber.  
Materials and specification are subject to change without notice.



รายละเอียดผลิตภัณฑ์อาจมีการเปลี่ยนแปลงโดยมิได้แจ้งให้ทราบล่วงหน้า

TECHNICAL DATA		MODEL			
		HPW 20 S	HPW 20 L	HPW 25 S	HPW 25 L
Printer Capacity	kg	WITHOUT			
		2000		2500	
Overall Length	A mm	1550			
Width Overall Fork	B mm	555	690	555	690
Overall Height	C mm	1220			
Min.Fork Height	D mm	85			
Max.Fork Height	E mm	205			
Fork Length	F mm	1150			
Individual Fork Width	G mm	180			
Steering Wheel Diameter	H mm	Ø 200 x 50 ( Nylon, Polyurethane )			
Load Roller Diameter	J mm	Ø 80 x 70 ( Nylon, Polyurethane )			
Net Weight	kg	131	134	137	140
<b>SPECIFICATION IS SUBJECT TO CHANGE WITHOUT NOTICE</b>					

## Pallet Truck Scale



TECHNICAL DATA		MODEL
		HPW 30
Capacity	kg	3000
Overall Length	A mm	1500
Width Overall Fork	B mm	600
Overall Height	C mm	1220
Min.Fork Height	D mm	85
Max.Fork Height	E mm	205
Fork Length	F mm	1150
Individual Fork Width	G mm	200
Steering Wheel Diameter	H mm	Ø 200 x 50 ( Nylon, Polyurethane )
Load Roller Diameter	J mm	Ø 80 x 70 ( Nylon, Polyurethane )
Net Weight	kg	165

**SPECIFICATION IS SUBJECT TO CHANGE WITHOUT NOTICE**