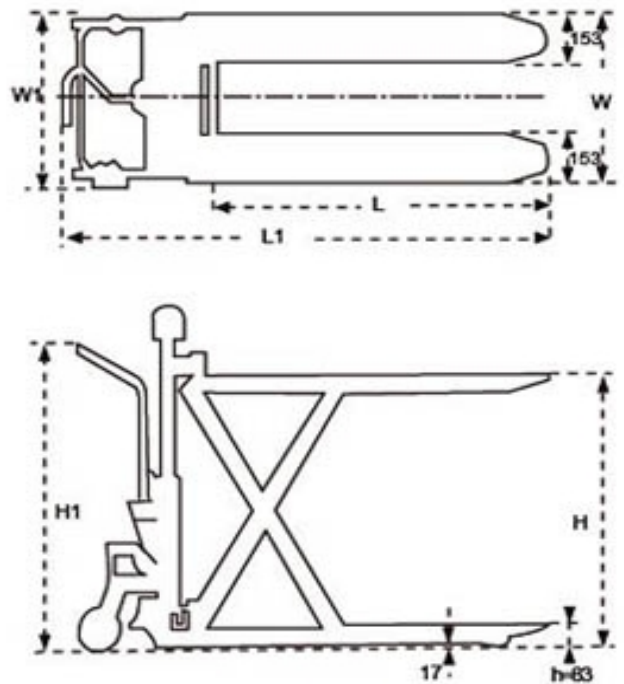


Skid Lifter

Correctly position skids and work surfaces to minimize back strain

- ▲ Combination of pallet truck and lift table.
- ▲ Ideal for your loading and unloading operations.
- ▲ Continuous-welded heavy steel frame and forks handle weighty loads with ease.
- ▲ Easy-to-use control lever, plus two parking brakes on steering wheels increase safety.
- ▲ A foot-operated pedal for easier and faster lifting.
- ▲ A steering handle on 1000kg models for easier and comfortable turning.
- ▲ Conforms to EN 1757-4.



รายละเอียดผลิตภัณฑ์อาจมีการเปลี่ยนแปลงโดยมิได้แจ้งให้ทราบล่วงหน้า

TECHNICAL DATA		MODEL			
		SL 50 S	SL 50 L	SL 100 S	SL 100 L
Capacity	kg	500		1000	
Max.Fork Height	H mm	830			
Min.Fork Height	h mm	85			
Fork Length	L mm	1150			
Fork Width	W mm	526	690	526	690
Front Load Roller	mm	Ø 70 x 68 (Polyurethane)			
Steening Wheel	mm	Ø 150 x 40 (Polyurethane)			
Pump Stroker	mm	45		75	
Overall Length	L1 mm	1550		1640	
Overall Width	W1 mm	526	691	687	852
Overall Height	H1 mm	1012		1307	
Net Weight	kg	107	116	135	138
Option		WITH PLATFORM			

SPECIFICATION IS SUBJECT TO CHANGE WITHOUT NOTICE