

## Full Electric Stacker WS 03 - 12

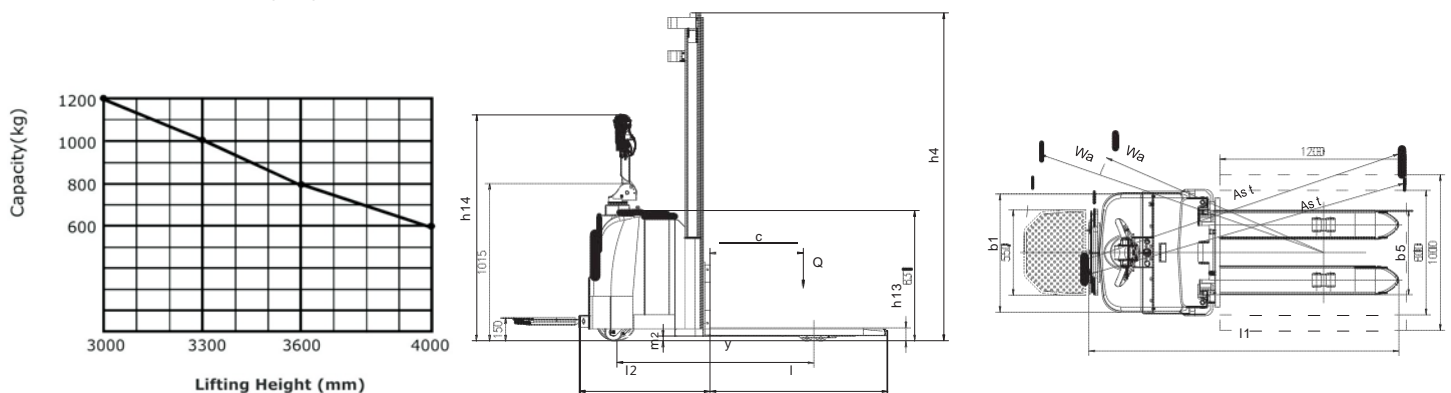


รายละเอียดผลิตภัณฑ์อาจมีการเปลี่ยนแปลงโดยมิได้แจ้งให้ทราบล่วงหน้า

# Full Electric Stacker 1.2t รายละเอียดผลิตภัณฑ์อาจมีการเปลี่ยนแปลงโดยมิได้แจ้งให้ทราบล่วงหน้า

Characteristics		
1.1	Manufacturer	PE
1.2	Model designation	WS03-12
1.3	Drive unit	Battery
1.4	Operator type	Walkie (platform option)
1.5	Load capacity	Q (kg) 1200
1.6	Load center	c (mm) 600
1.9	Wheelbase	y (mm) 1270
Wheels, Chassis		
3.1	Tyre type	PU/PU
3.2	Tyre size, operator side (diameter x width)	mm $\Phi$ 248X75
3.3	Tyre size, load side (diameter x width)	mm $\Phi$ 84X70
3.4	Balance wheels (dimensions)	mm $\Phi$ 115X55
3.5	Wheels, number operator/load side (x=drive wheels)	1x+ 2/ 4
Dimensions		
4.2	Height, mast lowered	$h_1$ (mm) 1980/ 2135/ 2335
4.4	Lift height	$h_3$ (mm) 3000/ 3300/ 3600
4.5	Height, mast extended	$h_4$ (mm) 3500/ 3800/ 4100
4.9	Height of tiller arm in operating position, min/ max	$h_{14}$ (mm) 1015/ 1450
4.10	Height of straddle arms or load wheel casing	$h_8$ (mm) 80
4.15	Fork height, lowered	$h_{13}$ (mm) 85
4.19	Overall length	$l_1$ (mm) 1875
4.20	Length to face of forks	$l_2$ (mm) 843
4.21	Overall width	$b_1/ b_2$ (mm) 720
4.22	Fork dimensions	s/ e/ l (mm) 55/185/1150 or 1200
4.24	Fork carriage width	$b_3$ (mm) 700
4.25	Outside fork width, minimum/ maximum	$b_5$ (mm) 550/ 600/ 650
4.26	Width between straddle arms	$b_4$ (mm) 265/ 315/ 365
4.31	Ground clearance, laden, below mast	$m_1$ (mm) 30
4.32	Ground clearance, center of wheelbase	$m_2$ (mm) 30
4.33	Aisle width, 1000x1200 pallet crossways	$As_t$ (mm) 2160
4.34	Aisle width, 800x1200 pallet lengthways	$As_t$ (mm) 2130
4.35	Outer turning radius	$Wa$ (mm) 1935/ 1525
Performance		
5.1	Travel speed, laden/ unladen	km/ h 3-5 / 3-5
5.2	Lifting speed, laden/ unladen	m/ s 0.13 / 0.23
5.3	Lowering speed, laden/ unladen	m/ s 0.13 / 0.23
5.8	Maximum gradeability, laden/ unladen $S_2$ 5 min.	% 5/ 7
5.10	Service brake	Electromagnetic
Drive		
6.1	Drive motor rating $S_2$ 60 min.	kW 1.5
6.2	Lift motor rating at $S_3$ 15%	kW 3
6.4	Battery voltage/ rated capacity (5h)	V/ Ah 24 /210
6.5	Battery weight (with box)	kg 200
	Battery compartment dimensions l/ w/ h	mm 650/ 200/ 575
	Battery type	Industry
Others		
8.1	Type of drive control	AC
	Manufacturer	CURTIS
8.4	Sound level at operator's ear	dB (A) 70
8.6	Steering	Power steering

\* Special lifting height available



## Full Electric Stacker WS93-14 WS93-16 WS95-16



รายละเอียดผลิตภัณฑ์อาจมีการเปลี่ยนแปลงโดยมิได้แจ้งให้ทราบล่วงหน้า

# Full Electric Stacker 1.4-1.6t

รายละเอียดผลิตภัณฑ์อาจมีการเปลี่ยนแปลงโดยมิได้แจ้งให้ทราบล่วงหน้า

Characteristics				
1.1	Manufacturer		PE	PE
1.2	Model designation		WS93-14	WS93-16
1.3	Drive unit		Battery	Battery
1.4	Operator type		Walkie (platform option)	Walkie (platform option)
1.5	Load capacity	Q (kg)	1400	1600
1.6	Load center	c (mm)	600	600
1.9	Wheelbase	y (mm)	1307	1307
Wheels, Chassis				
3.1	Tyre type		PU/PU	PU/PU
3.2	Tyre size, operator side (diameter x width)	mm	Φ248X75	Φ248X75
3.3	Tyre size, load side (diameter x width)	mm	Φ84X70	Φ84X70
3.4	Balance wheels (dimensions)	mm	Φ115X55	Φ115X55
3.5	Wheels, number operator/load side (x=drive wheels)		1x+ 2/ 4	1x+ 2/ 4
Dimensions				
4.2	Height, mast lowered	h <sub>1</sub> (mm)	1980/ 2135/ 2335/ 2500	1980/ 2135/ 2335/ 2500
4.3	Free lift	h <sub>2</sub> (mm)	—	—
4.4	Lift height	h <sub>3</sub> (mm)	3000/ 3300/ 3600/ 4000	3000/ 3300/ 3600/ 4000
4.5	Height, mast extended	h <sub>4</sub> (mm)	3500/ 3800/ 4100/ 4400	3500/ 3800/ 4100/ 4400
4.9	Height of tiller arm in operating position, min/ max	h <sub>14</sub> (mm)	1015/ 1430	1015/ 1430
4.10	Height of straddle arms or load wheel casing	h <sub>8</sub> (mm)	80	80
4.15	Fork height, lowered	h <sub>13</sub> (mm)	85	85
4.19	Overall length	l <sub>1</sub> (mm)	2050	2050
4.20	Length to face of forks	l <sub>2</sub> (mm)	900	900
4.21	Overall width	b <sub>1</sub> / b <sub>2</sub> (mm)	850	850
4.22	Fork dimensions	s/ e/ l (mm)	55/185/1150 or 1200	55/185/1150 or 1200
4.24	Fork carriage width	b <sub>3</sub> (mm)	700	700
4.25	Outside fork width, minimum/ maximum	b <sub>5</sub> (mm)	550/ 600/ 650	550/ 600/ 650
4.26	Width between straddle arms	b <sub>4</sub> (mm)	265/ 315/ 365	265/ 315/ 365
4.31	Ground clearance, laden, below mast	m <sub>1</sub> (mm)	30	30
4.32	Ground clearance, center of wheelbase	m <sub>2</sub> (mm)	30	30
4.33	Aisle width, 1000x1200 pallet crossways	As <sub>t</sub> (mm)	2210	2210
4.34	Aisle width, 800x1200 pallet lengthways	As <sub>t</sub> (mm)	2180	2180
4.35	Outer turning radius	Wa (mm)	1990/ 1580	1990/ 1580
Performance				
5.1	Travel speed, laden/ unladen	km/ h	3-5 / 3-5	3-5 / 3-5
5.2	Lifting speed, laden/ unladen	m/ s	0.13 / 0.23	0.13 / 0.23
5.3	Lowering speed, laden/ unladen	m/ s	0.13 / 0.23	0.13 / 0.23
5.8	Maximum gradeability, laden/ unladen S <sub>2</sub> 5 min.	%	5 / 7	5 / 7
5.10	Service brake		Electromagnetic	Electromagnetic
Drive				
6.1	Drive motor rating S <sub>2</sub> 60 min.	kW	1.5	1.5
6.2	Lift motor rating at S <sub>3</sub> 15%	kW	3	3
6.4	Battery voltage/ rated capacity (5h)	V/ Ah	24 / 280	24 / 280
6.5	Battery weight (with box)	kg	228	228
	Battery compartment dimensions l/ w/ h	mm	650x248x550	650x248x550
	Battery type		Industry	Industry
Others				
8.1	Type of drive control		AC	AC
	Manufacturer		CURTIS	CURTIS
8.4	Sound level at operator's ear	dB (A)	70	70
8.6	Steering		Power steering	Power steering

\*Special lifting height available

## WS93-14

